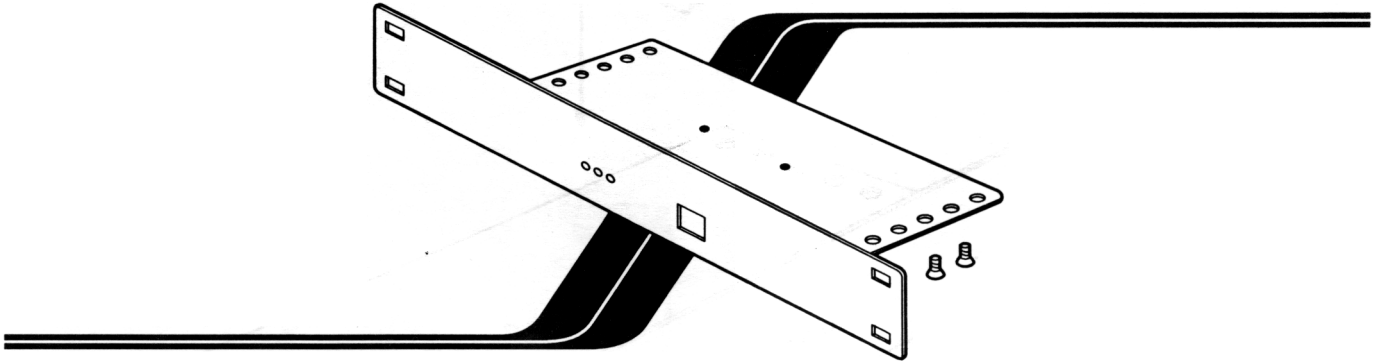




Rackmount Kit for ServSwitch™ Wizard Multimedia KVM Extender



You can use this Rackmount Kit to mount Unit A or Unit B of a ServSwitch™ Wizard Multimedia KVM Extender (our product code ACU1600A) in 1U of vertical space in a 19" rack. Each of these Kits consists of a front-paneled rack shelf and a pair of countersunk screws. To use this Kit to mount an Extender Unit, take these steps, referring to Figure 1 on the other side of this page:

1. Place the Extender Unit on the Kit shelf so that the RJ-45 jack and auxiliary LEDs on its side are facing forward and are aligned with the cutouts in the shelf's front panel. In this position, the two screwholes on the bottom of the Unit should be lined up with the matching holes on the bottom of the shelf.
2. Screw the two screws included with the Kit through the holes in the shelf, into the bottom of the Unit.
3. Once you've attached the Unit to the shelf, match the holes at the ends of the shelf's front panel to an appropriate set of matching holes on your equipment rack. Screw the Unit assembly to the rack using your own screws, bolts, cage nuts, etc. (not included).

RACKMOUNT KIT FOR SERVSWITCH™ WIZARD MULTIMEDIA KVM EXTENDER

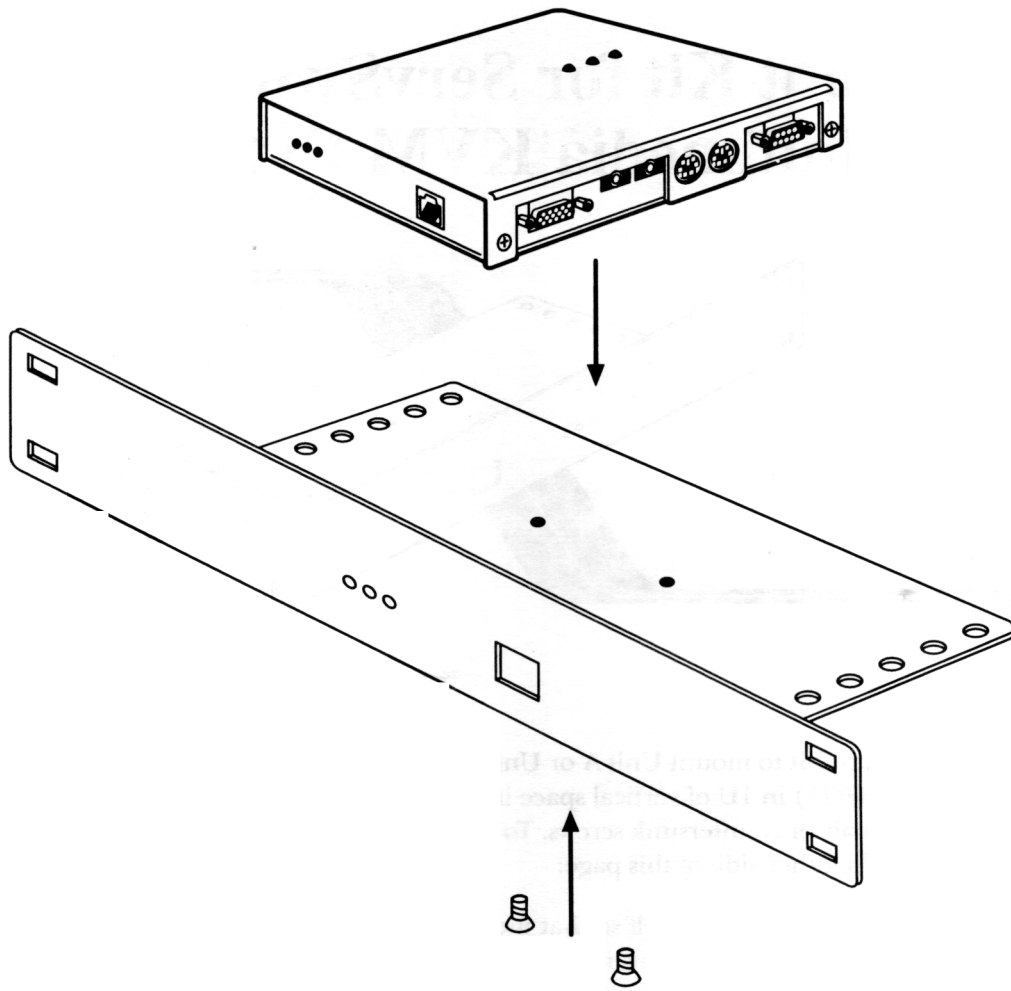


Figure 1. Rackmounting an Extender Unit (Unit A shown).

©Copyright 1999. Black Box Corporation. All rights reserved.

CUSTOMER SUPPORT INFORMATION

Order toll-free in the U.S.: Call 877-877-BBOX (outside U.S. call 724-746-5500)
FREE technical support 24 hours a day, 7 days a week: Call 724-746-5500 or fax 724-746-0746
Mailing address: Black Box Corporation, 1000 Park Drive, Lawrence, PA 15055-1018
Web site: www.blackbox.com • E-mail: info@blackbox.com

BLACK BOX and the  logo are registered trademarks, and ServSwitch and ServSwitch Wizard are trademarks, of Black Box Corporation.